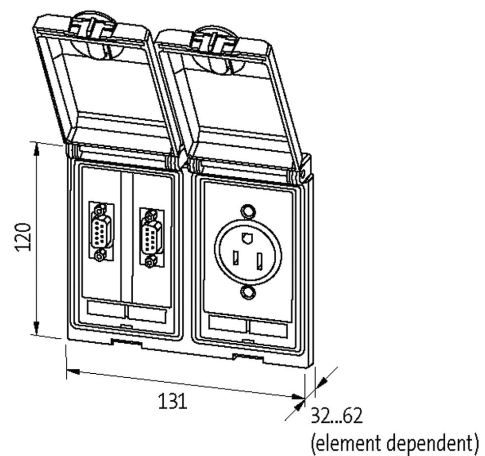


**Modlink MSDD-set: Frame 4000-68123-0000000,**  
insert 4000-68000-1300000 + 4000-68000-0010000

### Illustration



Product may differ from Image

### Frame

suitable for mounting with wall thickness 1...5 mm

Protection IP65

Housing Zinc die-casting, with surface finishing

Temperature range -10...+60 °C (storage temperature -25...+60 °C)

#### RJ45

Operating voltage (UL Rating)	max. 30 V AC/42.4 V DC
Operating current (UL Rating)	max. 175 mA
Connection front side	RJ45
Connection rear side	RJ45
Locking of ports	Snap In
Specification	CAT5e, Class D, 100 MHz, (EN 50173-1)

#### Shielding plate

Connection	Threaded hole M4
Tightening torque	0.9 Nm ±0.1

#### USB

Operating voltage	48 V AC/DC
Operating voltage (UL Rating)	42.4 V DC
Operating current	max. 500 mA
Locking of ports	Snap In
Specification	USB: 2.0 (max. 480 Mbit/s)

#### Germany (VDE)

Operating voltage	250 V AC
Operating current	16 A
No. of poles	2 + PE
Connection	Screw terminals: max. 2× 6 mm <sup>2</sup> (AWG 10)
LED display	yellow

#### Commercial data

country of origin	CZ
customs tariff number	85389099
EAN	4048879033954
eClass	27189217
Packaging unit	1